

USER'S GUIDE

Daytime Riflescopes

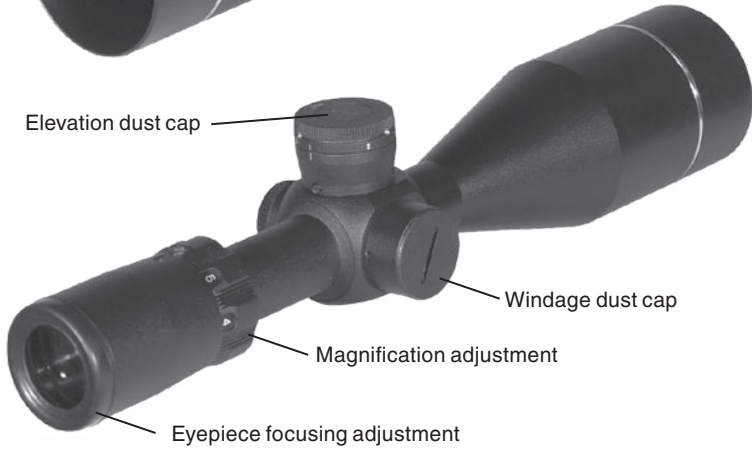
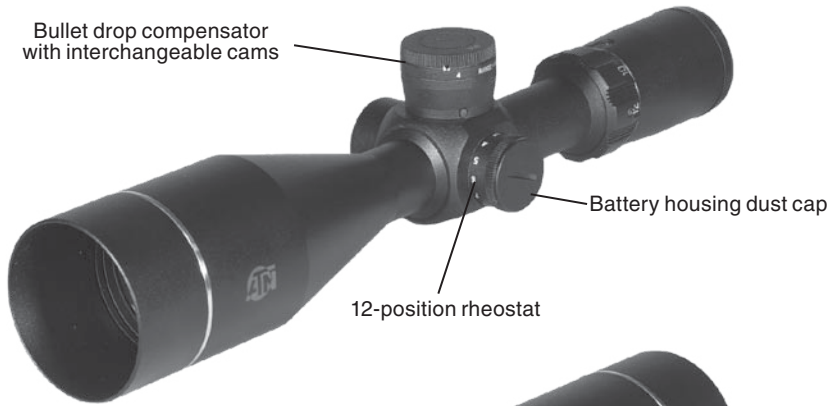


- 5x33l
- 5x33lu
- 2-6x40lu
- 3-9x55lu
- .. 4-12x60lu
- .. 6-18x65lu
- .. 8-24x75lu
- .. 12-36x80lu



American Technologies Network Corp.

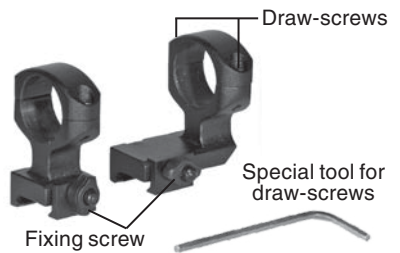
Important Export Restrictions! Commodities, products, technologies and services contained in this manual are subject to one or more of the export control laws and regulations of the U.S. Government and they fall under the control jurisdiction of the US BIS-Department of Commerce. It is unlawful and strictly prohibited to export, or attempt to export or otherwise transfer or sell any hardware or technical data or furnish any service to any foreign person, whether abroad or in the United States, for which a license or written approval of the U.S. Government is required, without first obtaining the required license or written approval from the Department of the U.S. Government having jurisdiction. Diversion contrary to U.S. law is prohibited.



Interchangeable cams for bullet drop compensator



Mounting rings



CAUTION:

THIS PRODUCT CONTAINS NATURAL RUBBER LATEX WHICH MAY CAUSE ALLERGIC REACTIONS.

The information in this manual furnished for information use only, is subject to change without notice, is not to be construed as a commitment by ATN Corp.

ATN Corp. assumes no responsibility or liability for any errors or inaccuracies that may appear in this book.

©2008 ATN Corp. All right reserved.

FEATURES:

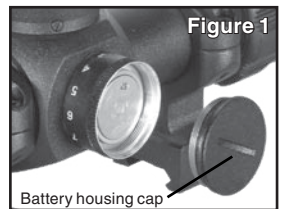
- Bullet drop compensator with interchangeable cams (except 5x33L)
- Mounting rings included (except 5x33 series)
- Illuminated Reticle with an 12 position rheostat
- Step Range Finder
- 1/8 MOA at 100 Yards
- All glass multi-coated optics
- Extra large objective lenses
- Prosheild and Everlight Lens coatings
- Sunshade

* ATN reserves the right to change the above specifications at any time without notice

OPERATING:

BATTERY INSTALLATION:

Install the battery into the housing with the polarity order as shown on the battery housing cap. Battery Type: 3 Volt Lithium standard watch battery type CR2032 (Fig.1).



MOUNTING:

Riflescopes can be mounted utilizing 30mm mounting rings. ATN mounting rings allow to change the position of the riflescope on the weapon in relation to a shooter by 1/3 of inch. Thus obtained, such positions are additional to the already available fixed positions on the weaver rail.

For this purpose in the base of a mounting ring there is a rail with a fixing projection.

In case you need to change the position of the riflescope additionally please follow the steps mentioned below for both rings (Fig.2):

1. Loosen the two screws attaching the rail to the ring.
2. Take the rail out of the groove.

NOTE: If the rail is not taken out easily screw up one of the screws into the threaded aperture at the middle of the rail until it stops. Then carefully continue rotating of the screw until it pushes out a rail from a groove.

3. About-face the rail.
4. Put the rail into the groove.
5. Fix the rail with the two screws.

For mounting the riflescope on the weaver rail:

1. Loosen the fixing screws on the sides of the mounting rings.
2. Place the riflescope on the weaver rail so that the projection of the rail, which is in the base of the ring, enters the recess in the rail.
3. Tighten the fixing screws of the mounting rings.

CAUTION: Be sure gun is not loaded. Use safe gun handling procedures all the time.

FOCUSING:

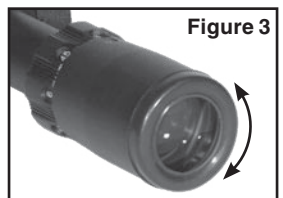
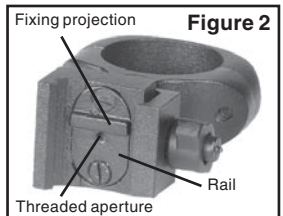
While holding the scope about four inches from your eye, quickly glance through the eyepiece at a featureless, flatly lit bright area such as a wall or the sky.

CAUTION: Viewing the sun can cause serious eye injury, never look at the sun with this product or even the naked eye.

If the reticle is not visible sharply turn the eyepiece (either direction) a few turns (Fig.3).

Quickly glance through the scope again. If the focus has improved, but is still not perfect, continue focusing. If the focus condition become worse turn the focus opposite direction.

NOTE: Unlike other sights, 12-36x80 has additional system for focusing when shooting at small distance (Fig.4).



For shooting at the distance up to 100 yards - turn focusing ring in the direction to the mark 100 m against stop.

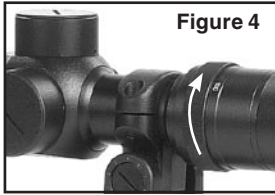


Figure 4

For shooting at the distance over 100 m turn the focusing ring in the direction to the mark ∞ against stop.

PRE-ZEROING:

Pre-zeroing is recommended and can be done with a scope guide or bore sight.

CAUTION: Be sure gun is not loaded. Use safe gun handling procedures all the time.

ZEROING:

CAUTION: All shooting should be done at an approved range or other safe areas. Eye and ear protection is recommended.

Danger: If you used a bore-obstructing device, remove it before proceeding. If the barrel has-been drilled for a mount, check that the screws do not protrude into the bore. Do not fire live or even blank ammunition with an obstructed barrel. An obstruction can cause serious damage to the gun and possible personal injury to yourself and others nearby.

From a steady rest position, fire three rounds at a 100 yard target.

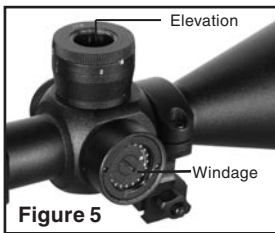


Figure 5

Observe bullet strike on target and adjust windage and elevation screws as needed to correct aim. You will need to remove the dust caps from the top of the windage and elevation adjustments to do this (Fig.5).

NOTE: Each click of adjustment changes bullet strike by the amount shown on the chart below.

When you have finished zeroing, replace windage and elevation dust caps.

Windage/Elevation
(inches of movement per click)

50 Yards	- 1/16"
100 Yards	- 1/8"
200 Yards	- 1/4"
300 Yards	- 3/8"

ELECTRONIC RETICLE:

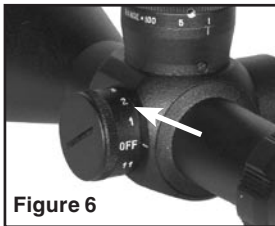


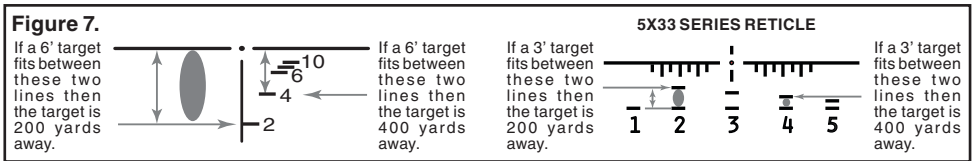
Figure 6

Your scope has an Electronic reticle. There are 12 positions of brightness. The rheostat is manipulated by the knob located at the back of the scope. It is labelled with numbers from 0 to 11. When the rheostat is set to 0 you will see a black etched reticle. The reticle will light up red electronically as you rotate the rheostat through the numbers, 11 being the brightest (Fig.6).

USING THE ATN RANGEFINDER RETICLE:

The rangefinder reticle in your scope was designed to assist you in determining the range of your target. These distances are based on a 6' target, if a 6' target fits between the numbered baseline (the five short horizontal lines and the post of the reticle above the baseline determines your distance. If a 6' target fits between the horizontal post of the reticle and 2 the target is 200 yards away. If the same target fits between the 4 and the horizontal post of the reticle the target is 400 yards away. The same is with the 6 and 10. The target would be either 600, 800 or 1000 yards away (Fig.7).

NOTE: The 5x33 series and the 2-6x40 utilize a range finder based on a three foot target.

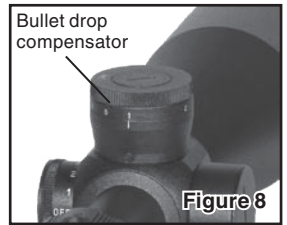


BULLET DROP COMPENSATOR:

You should have zeroed your scope at 100 yards. When shooting at longer ranges the bullet drop compensator should be adjusted for 200, 300, 400, and 500 yards (and 1000 yards for 8-24x65LU and 12-36x80LU). Depending on the distance click the bullet drop compensator to the appropriate setting. This will automatically adjust your reticle for that particular distance. Your scope also comes with other cams allowing you to change your bullet drop compensator to work with the different rifles.

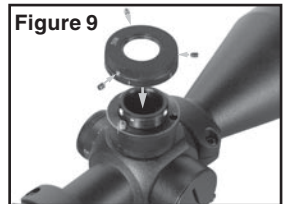
NOTE: 12-36x80 has special mechanism for bullet drop compensation with compensator for .50 BMG. Compensator provides shooting at the distance from 200 up to 3000 yards. (See page 7 for instructions.)

To set the necessary distance combine the figure with the mark on the immovable upper part of the mechanism.



CHANGING THE BULLET DROP COMPENSATOR

Set the bullet drop compensator to the 100-yards (5x33LU, 2-6x40LU, 3-9x55LU, 4-12x60LU) or 200 yards (4-12x75LU, 6-18x65LU) range. Then remove the elevation dust cover. Next you will find three small set screws on the bullet drop compensator right above the yardage numbers. Remove these screws and lift the cam off of the scope. (Fig.9) Once you have done this select the desired caliber cam you would like to use and place this cam where you removed the previous one (make sure that a replacement cam is set to the 100-yard range for 5x33LU, 2-6x40LU, 3-9x55LU, 4-12x60LU and 200 yards for 4-12x75LU, 6-18x65LU). Then tighten the cam by putting the three set screws back. Finally place the dust back.



RETICLE SYSTEM:

Upon initial use of the ATN Professional Variable Power scope you may notice a somewhat unusual behaviour of the reticle system. One, the reticle will increase or decrease with the power change. Two, the reticle will move from the center when you adjust windage and/or elevation. These are not defects. As the name implies, our main goal while designing this line was to provide the customer with the most accurate and reliable sighting system in the world. In order to achieve this, we had to depart from the more "conventional" designs that the American consumers are so familiar with.

RETICLE CHANGING SIZE:

In any optical design the reticle has to be placed either in the front focal plane or the rear focal plane (the only exception to this rule are the Shepherd scopes that contain two reticles, one in each plane). The rear focal plane, or behind the magnification module, was the initial and less complicated, as well as less expensive solution. Up to this day, almost all American scopes and inexpensive imports utilize this design. However, there is an inherent flaw in this type of system. Because the magnification module is housed within sliding mechanical parts, some tolerance for lateral and vertical movement has to be allowed. Therefore, when the power is changed the point of impact may shift as much as several inches. A more reliable design is to place reticle in the front focal plane, i.e. in front of the magnification module. In this situation movement of the module will have no effect on the point of impact. The reticle will increase/decrease in direct proportion to magnification, i.e. if you change the magnification from 6x to 18x, the image is increased three times and the reticle along with it. The size of the reticle in relation to size of the target will not change. The point of impact remains constant at all times.

MOVING RETICLE

A somewhat similar situation take place with windage and elevation adjustments.

Most of the American scopes and low-priced imports adjust the front tube for windage and elevation. This action moves the whole image while the reticle remains in apparent center. While aesthetically appealing, this system lacks inherent accuracy.

In the Professional series, windage and elevation adjustments are effected by moving the reticle itself. Since in our system the objective lens is fixed, there will never be any distortion, which may appear while moving the front tube of the scope. Further more, since the reticle weighs only a few grams, it allows for extremely precise (1/8" at 100 yards), reliable, and repeatable adjustments. The optical effect of this system is that the reticle will not be located in the center once sighting in has been accomplished. This situation can be remedied however through the use of vertical and horizontal shims available any gunsmith.

The table below provides the minimum focusing distances for our variable riflescopes. As you are aware, due to their highly advanced design, our scopes have no parallax. But if they were focused to the distance below minimal, a parallax-like effect (i.e. target in focus while reticle is not, or vice versa) will appear.

UNIT	2-6x40	3-9x55	4-12x60	6-18x65	8-24x75	12-36x80
2x	1	4(3x)				
4x	10	10(5x)	6			
6x	20	17(7x)	20	12		
8x		25(9x)	30	25	25	
10x			60	50	50	
12x			80	80	80	40
14x				115	115	50
16x				130	130	60
18x				150	150	70
20x					180	80
22x					200	90
24x					220	100
26x						110
28x						120
30x						130
32x						140
34x						150
36x						160

THE ATN ADJUSTABLE RINGS



Figure 10.

ATN adjustable rings (*Fig.10*) have rotatable inserts which allow for as much as 20 Minutes of Angle, or approximately 20 inches at 100 yards, mounting adjustment without touching the scopes internal windage and elevation mechanisms. This in turn allows the user to maintain the scopes center of optical axis when performing the initial installation of a new ATN rifle scope. This feature is extremely important in eliminating parallax and maintaining a centered reticle with application of these units, while offering greater overall zero range selectivity.

Each ATN scope is furnished with a set of non-offset rings useable with any Weaver or Picatinny style mount. These may also be reversed for more inter ring distance options or the recoil lug on the underside of

each ring can be reversed (turned 180 degrees) by removing the two screws attaching it to the ring. Additionally, we offer an offset ring that when coupled with either standard or extended bases, will allow proper mounting on most any production or custom action. The rings provided with your scope have the correct height to allow for the necessary bell clearance required.

INSTALLATION

The Select the appropriate bases for your application. These can be 2 piece, one piece or rail. When installing the bases be sure and use Locktite or an equivalent thread locker on the mounting screws. Most bases install with 6-48 screws and these should be torqued to about 22 inch/lbs. Generally all receiver/base combinations have some degree of misalignment. However, this is not a problem with the ATN rings as this is easily compensated for by the floating ring inserts, assuring a stress free scope/mount/receiver combination, another important accuracy consideration.

Attach the rings to the bases and determine if you have the right distance center to center.

The rings must not be closer than 1/8 inch to any place here the scope transitions from the 30 mm main tube including the turret area. Closer than 1/8 inch may cause turret or variable power adjustment binding. The available offset ring has 1 inch of distance form the center of the ring and used with or without

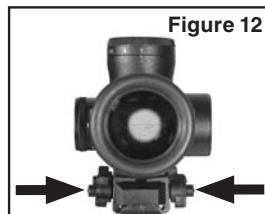


Figure 11

extension base(s), if necessary, should easily cover all base mounting or eye relief problems. Tighten the ring securing side nuts finger tight.

Remove the tops of both rings and inserts and cradle the scope in their lower halves. Install the top halves and tighten each ring's four screws to finger tight (*Fig.11*). Do not over tighten or you will be unable to rotate the offset inserts. The use of a bore sight or collimator at this stage is very helpful setting the initial alignment of scope and bore. This can also be accomplished

by placing a well-lit and defined bull's-eye target with at least a 6-inch black, 100 yards from a sand bagged and well supported rifle. Using the 100-yard distance to target will give a convenient zero but other distances can be used. It will, however, require more adjustment during live fire to achieve a 100 yd. zero. Sighting thru the bore with the action open center the black bull's-eye in your rifles bore. You would like the black circle of the bull's-eye centered in the scopes field of view with the crosshair in the center of the bull. If it is not, first use the side nuts that secure the rings to the bases to adjust the scope to zero windage (*Fig.12*).



Alternately loosening and tightening the side nuts while checking the bores alignment will move the scope crosshair accordingly:

Looking from behind the scope in normal shooting position.

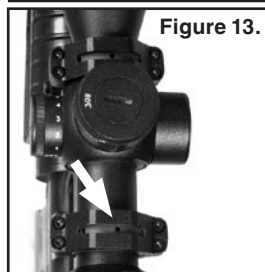
Loosening the rear rings left side nut and then retightening the right side will move the crosshair to the left. Reversing this procedure will move the crosshair to the right.

Adjustment using the front rings screws will result in the opposite.

Loosening the front rings left side nut and tightening the right will move the crosshair to the right.

Next check the elevation for zero. If the crosshair is not centered adjust it by rotating the a centric inserts via the following method:

Use the slot milled into the top half of each ring to access the holes drilled thru the insert (*Fig.13*). Move the inserts radially to achieve the above described scope picture by inserting a round rod into the holes drilled in the insert (*Fig.14*). The shank (blunt end) of a 9/64 drill works perfectly. When the reticle is centered, tighten the ring screws exerting torque on the short end of the supplied allen wrench. It is not necessary to use the leverage of the long arm to tighten the screws any more than an additional 1/8 turn.



SIGHT IN YOUR RIFLE

Chances are your rifle will not shoot to your bore sighted zero or to the zero you desire. This is primarily due to the rifles recoil impulse prior to the bullets departing the barrel. Recoil for RH twist barrels tends to carry the shot up and to the left. If you are more than 1 inch in any direction from the center of the bull or from your desired zero, adjust the scope using the rings insert mechanism or the rings side nuts as described above. It is always best to loosen the top halves of the ring just enough to allow free rotation or pivoting of the inserts so that stress is not introduced by any changes. Once you have zeroed your, windage retighten the side nuts and proceed to fine-tune the elevation. Both rings have 10 MOA adjustment via the insert. You will note that each insert has a thick and a thin side that allow a centric orientation of the scopes body in the rings. The scope's elevation may be adjusted as follows:

Placement of the thick side at 6 O'clock in the rear ring will result in raising the crosshair 10 inches at 100 yards. Conversely placing the thick side at 12 O'clock will lower it 10 inches. Again similar adjustments of the front ring's insert will have an opposite effect; the thick side at 6 O'clock will lower the impact 10 inches at 100 yards. Therefore, placement of the thick side of the rear ring at 6 O'clock and the front's at 12 O'clock will raise the impact a maximum of 20 inches at 100 yards. Any combination from 0 to 20 MOA is possible depending on the orientation of the inserts in tandem.

Note: Any orientation of the inserts such that the thick sides of the inserts are not vertical, i.e., not at 12 or 6 O'clock, will result in a windage change in addition to elevation. In this case, once elevation has been achieved a final windage adjustment must be carried out using the side nuts as described above.

Once your basic zero is set you can now use the scopes internal adjustments to fine tune impact to any shooting condition with the confidence that your optics are free of accuracy robbing parallax and stress.

MAINTAINING YOUR RIFLESCOPE:

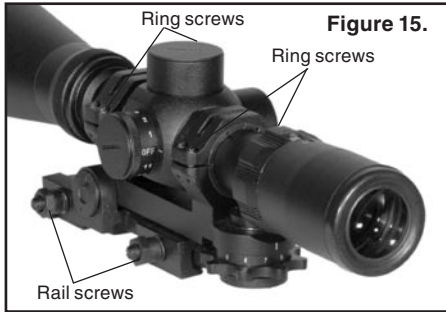
Your rifle scope is waterproof and shockproof. However, you should never try to take apart or clean it internally (it will void your warranty). If your scope ever does need any repair or adjustment, it should be returned to ATN's service department. Optical surfaces will perform their best if they are wiped clean from time to time with a lens tissue or with optical quality lens paper like those for eyeglasses or camera lenses. Maintain the metal surfaces of your rifle scope by removing any dirt or sand with a soft brush so as to avoid scratching the finish. Wipe down the scope with a slightly wet cloth and follow with a dry cloth. Finally, going over the tube with a silicone treated cloth will restore luster and protect the scope against corrosion. Be careful not to touch the lenses with the silicone cloth.

BASE MOUNT FOR 12X36

Base Mount for 12x36 was developed for extreme range rifles like the 50 BMG. With 300 MOA of elevation, ranging in access of 3000 Meters is possible. Used in conjunction with a scope internal adjustments there are three modes of vertical and two modes of horizontal adjustment. It is important to install the riflescope with the reticle's convergence point on the center of the scopes optical axis. Along with the elevation capabilities there is also more than enough windage adjustment in the base to accomplish this task, regardless of base or installation range requirements. There are several mounting systems available that facilitate this, but none other than Base Mount for 12x36 that allow this at extreme ranges. These instructions are intended to help you take full advantage of this remarkable mount.

INSTALLATION

Base Mount for 12x36 requires Picatinny or slotted weaver style base for attachment to the firearm. It is



important to keep from over tightening the both the rail screws and the ring screws (Fig.15). The large bearing surface on both allows minimal torque on the screws. It is recommended to grip the short end of an allen wrench to apply torque so that torque is minimized on the ring screws, then add another 1/8 turn utilizing the long end of the wrench. The mounting wing nuts can be tightened adequately using a pair of needle nosed pliers.

Once mounted on the rifle install the scope in the rings using the above described torque technique applied in a figure 8 pattern. Be sure that the scope's crosshair is square with the receiver and bore. A bore sight helps to both align the X-hair and in the below described initial adjustment of the scope.

As stated earlier it is very important to center the scopes optical axis for long range shooting, thus allowing minimal optical distortion. The vertical and horizontal positions of the retical want to be centered in their respective travel range. Typically this initial zero is then adjusted to the desired point of impact for the chosen ammunition using the scopes internal adjustments. While this is an acceptable and widely used practice the end result is to remove the X-hair from the center of the optical axis, even when using a scope that has a self-centering reticle. The self-centering refers to the position of the reticle in the scopes field of view not its position relative to the optical axis. Using Base Mount for 12x36 impact can and should be used to for initial sighting in or zero. Ideally this should be done at 200 yards or 100 yards if the ballistic curve for your chosen ammo is known.

Referring to Figure use the following sequence:



1. Check the windage for zero. If the crosshair is not centered adjust it by rotating the a centric inserts via the following method: Use the slot milled into the top half of each ring to access the holes drilled thru the insert) (Fig.16). Move the inserts radially to achieve the above described scope picture by inserting a round rod into the holes drilled in the insert (Fig.17). The shank (blunt end) of a 9/64 drill works perfectly. When the reticle is centered, tighten the ring screws exerting torque on the short end of the supplied allen wrench. It is not necessary to use the leverage of the long arm to tighten the screws any more than an additional 1/8 turn.
2. Set Ballistic Cam (BC) "A" (Fig.18) on position 2 (200 Yards) by locking the BC Lock Lever (BCL) "C" in the down position and turning it full CW as viewed from above.
3. Lock out BC by placing the BC Lock "C" in the up position and run the mount's Main Vertical Adjuster (MVA) "B" to its lowest setting by turning it full CW, also. The mount is now positioned for initial sight in at 200 yards.

4. Using the following graduations sight scope in for 200 yard zero utilizing only the mounts adjusters "B" and "D".

Direction	Mount/External (Coarse)	Scope/Internal (Fine)
Elevation (Vert.) "B"	3 MOA / Click	1/8 MOA / Click
Windage (Horiz.) "E"	0-20 MOA	1/8 MOA / Click

Absolute zero may not be attainable with “B” due to coarseness of clicks, but get as close as possible.

Both rings have 10 MOA adjustment via the insert. You will note that each insert has a thick and a thin side that allow a centric orientation of the scopes body in the rings. The scope’s elevation may be adjusted as follows: Placement of the thick side at 3 O’clock in the rear ring will result in shifting leftward the crosshair 20 inches at 200 yards. Conversely placing the thick side at 9 O’clock will shift it 20 inches to the right. Again similar adjustments of the front ring’s insert will have an opposite effect; the thick side at 3 O’clock will shift the impact to the right 20 inches at 200 yards. Therefore, placement of the thick side of the rear ring at 3 O’clock and the front’s at 9 O’clock will shift the impact to the left a maximum of 40 inches at 200 yards. Any combination from 0 to 20 MOA is possible depending on the orientation of the inserts in tandem.

Note: Any orientation of the inserts such that the thick sides of the inserts are not horizontal, i.e., not at 3 or 9 O’clock, will result in a elevation change in addition to windage. In this case, once windage has been achieved a final elevation adjustment must be carried out using the side nuts as described above.

WARNING! Tighten each ring’s four screws after each adjusting before shooting!

5. Using the scope’s internal vertical adjuster (center turret) finalize your 200 yard zero. Remember you do not want to move the reticle if possible, but 1 to 1 1/2 MOA is not critical. If your scope’s clicks or graduations are 1/8 inch @ 100 yards (or 1/4 @ 200) this would be no more than 8 to 12 clicks elevation.

NOTE: One MOA, or Minute of Angle, is basically 1 inch at 100 yards, 2 inches @ 200, 3 inches @ 300, etc.

Your Scope and ATN LR Mount are now set for use.

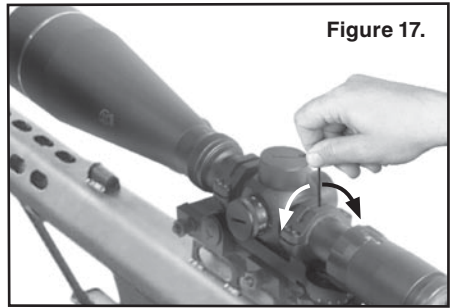


Figure 17.

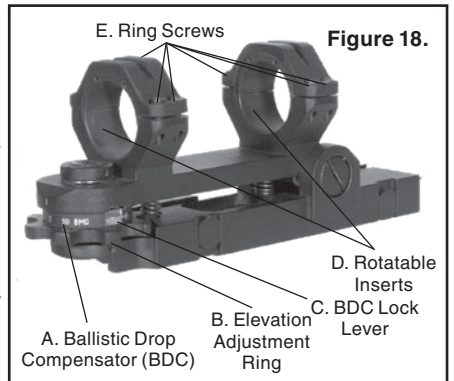


Figure 18.

USE

Properly used your scope’s reticle will now remain centered on its optical axis if the following shooting procedure is used.

Normally only the vertical or elevation fine adjuster (internal scope) is used to fine-tune individual sighting. Windage is best done with reticle assisted “hold off”. The reason for this is that it is relatively easy to remember elevation adjustments, but somewhat harder to keep track of windage.





Out to 1000 Yards





Engage BCL “C” and use the integral Ballistic Cam to adjust elevation zero in 100 yard increments. Use scope’s internal (turret) adjustments to fine tune.

Beyond 1000 Yards

Disengage BCL “C” and use LR Mount’s MVA “B” to acquire range. Fine tune using scope’s internal adjustment.

There are other mounts that allow some initial vertical and horizontal positioning, but none that offer the ability to maintain the center of optical axis on the fly and over the degree of elevation required for shooting at ranges out to 3000 Meters, that Base Mount for 12x36 does.

Model	5x33L	5x33LU	2-6x40LU	3-9x55LU
				
Magnification	5	5	2-6x	3-9x
Objective Diameter	33 mm	33 mm	40 mm	55 mm
FOV	4°	4°	10°-3,2°	7°-2,2°
FOV@100m(feet)	21	21	52.2-16.8	36.6-11.4
Mounting	30 mm Rings	30 mm Rings	30 mm Rings (included)	30 mm Rings (included)
Bullet Drop Calibers*	.223	.223, .270, 30-06, .300 Win Mag, .308, 7mm Mag,	223, .270, 30-06, .300 Win Mag, .308, 7mm Mag,	223, .270, 30-06, .300 Win Mag, .308, 7mm Mag,
Rangefinding	500m	500m	500 m	1000 m
Illuminated Reticle	Yes	Yes	Yes	Yes
Length	263 mm	285 mm	268 mm	332 mm
Width	58 mm	58 mm	75 mm	75 mm
Height	58 mm	70 mm	72 mm	79 mm
Weights	0,55 kg	0,65 kg	0,8 kg	1,0 kg
Eye Relief	75 mm	75 mm	90 mm	90 mm
Battery Life	100 Hours	100 Hours	100 Hours	100 Hours
Power Source	3v CR2432 (included)	3v CR2432 (included)	3v CR2432 (included)	3v CR2432 (included)
Sunshade	No	No	Yes (50 mm)	Yes (64 mm)
Recomended Use*	Tac,SG	Tac,SG	Tac,WFB	Ver
Adjustment Windage and Elevation at 100 m	1 click = 1/8 MOA			

Model	4-12x60LU	6-18x65LU	8-24x75LU	12-36x80
				
Magnification	4-12x	6-18x	8-24x	12-36x
Objective Diameter	60 mm	65 mm	75 mm	80 mm
FOV	5°-2°	3.3°-1.5°	2.2°-1°	1.5°-0.67°
FOV@100m(feet)	26.4-10.2	17.4-7.8	11.4-5.4	7.8-3.6
Mounting	30 mm Rings (included)	30 mm, Ajustable Rings (included)	30 mm, Ajustable Rings (included)	Long Range Mounting System
Bullet Drop Calibers*	.223, .270, 30-06, .300 Win Mag, .308, 7mm Mag,	.22-250, .270, 7mm Mag, 30-06, .300 Win Mag, .308	.22-250, .243, 7mm Mag, .30-06, .300 Win Mag, .50 BMG	.50 BMG
Rangefinding	1000m	1000m	2000 m	3000 m
Illuminated Reticle	Yes	Yes	Yes	Yes
Length	370 mm	453 mm	428 mm	500 mm
Width	73 mm	84 mm	75 mm	85 mm
Height	61 mm	60 mm	92 mm	85 mm
Weights	1.2 kg	1.3 kg	1.56 kg	1,8 kg
Eye Relief	90 mm	115 mm	90 mm	90 mm
Battery Life	100 Hours	100 Hours	100 Hours	100 Hours
Power Source	3v CR2432 (included)	3v CR2432 (included)	3v CR2432 (included)	3v CR2432 (included)
Sunshade	Yes (71mm)	Yes (73mm)	Yes (85mm)	Yes (88mm)
Recomended Use*	T,BG,V	T,V	T,V	S50
Adjustment Windage and Elevation at 100 m	1 click = 1/8 MOA			

*Cams included

**Tac=Law Enforcement, BG= Big Game, DG=Dangerous Game, SG= Small Game, T=Target, V=Varmint, WFB= wide field brush country, Ver= Versatile, S50= specialized 50 Bmg.

ONE YEAR PRODUCT WARRANTY

This product is guaranteed to be free from manufacturing defects in material and workmanship under normal use for a period of 1 (one) years from the date of purchase. In the event a defect that is covered by the foregoing warranty occurs during the applicable period stated above, ATN, at its option, will either repair or replace the product, and such action on the part of ATN shall be the full extent of ATN's liability, and the Customer's sole and exclusive remedy. This warranty does not cover a product (a) used in other than its normal and customary manner; (b) subjected to misuse; (c) subjected to alterations, modifications or repairs by the Customer or by any party other than ATN without prior written consent of ATN; (d) special order or "close-out" merchandise or merchandise sold "as-is" by either ATN or the ATN dealer; or (e) merchandise that has been discontinued by the manufacturer and either parts or replacement units are not available due to reasons beyond the control of ATN. ATN shall not be responsible for any defects or damage that in ATN's opinion is a result from the mishandling, abuse, misuse, improper storage or improper operation, including use in conjunction with equipment which is electrically or mechanically incompatible with or of inferior quality to the product, as well as failure to maintain the environmental conditions specified by the manufacturer. **CUSTOMER IS HEREBY NOTIFIED THAT OPERATION OF THE EQUIPMENT DURING DAYLIGHT HOURS OR UNDER ANY EXCESSIVE LIGHT CONDITIONS MAY PERMANENTLY DAMAGE THE INTERNAL COMPONENTS OF THE UNIT AND SAID DAMAGE WILL NOT BE COVERED UNDER THIS WARRANTY.** This warranty is extended only to the original purchaser. Any breach of this warranty shall be waived unless the customer notifies ATN at the address noted below within the applicable warranty period.

The customer understands and agrees that except for the foregoing warranty, no other warranties written or oral, statutory, expressed or implied, including any implied warranty of merchantability or fitness for a particular purpose, shall apply to the product. All such implied warranties are hereby and expressly disclaimed.

LIMITATION OF LIABILITY

ATN will not be liable for any claims, actions, suits, proceedings, costs, expenses, damages or liabilities arising out of the use of this product. Operation and use of the product are the sole responsibility of the Customer. ATN's sole undertaking is limited to providing the products and services outlined herein in accordance with the terms and conditions of this Agreement. The provision of products sold and services performed by ATN to the Customer shall not be interpreted, construed, or regarded, either expressly or implied, as being for the benefit of or creating any obligation toward any third party of legal entity outside ATN and the Customer; ATN's obligations under this Agreement extend solely to the Customer. **ATN's liability hereunder for damages, regardless of the form or action, shall not exceed the fees or other charges paid to ATN by the customer or customer's dealer. ATN shall not, in any event, be liable for special, indirect, incidental, or consequential damages, including, but not limited to, lost income, lost revenue, or lost profit, whether such damages were foreseeable or not at the time of purchase, and whether or not such damages arise out of a breach of warranty, a breach of agreement, negligence, strict liability or any other theory of liability.**

PRODUCT WARRANTY REGISTRATION

In order to validate the warranty on your product, ATN must receive a completed Product Warranty Registration Card for each unit or complete warranty registration on our website at www.atncorp.com. Please complete the included form and immediately mail it to our Service Center: ATN Corporation, 1341 San Mateo Avenue, South San Francisco, CA 94080.

OBTAINING WARRANTY SERVICE

To obtain warranty service on your unit, End-user must notify ATN service department by calling **800-910-2862** or **650-989-5100** or via e-mail service@atncorp.com to receive a Return Merchandise Authorization number (RMA). When returning please take or send the product, postage paid, with a copy of your sales receipt to our service center, ATN Corporation at the address noted above. All merchandise must be fully insured with the correct postage; ATN will not be responsible for improper postage or, missing or damaged merchandise during shipment. When sending product back, please clearly mark the RMA# on the outside of the shipping box. Please include a letter that indicates your RMA#, Name, Return Address, reason for service return, Contact information such as valid telephone numbers and/or e-mail address and proof of purchases that will help us to establish the valid start date of the warranty. **Product merchandise returns that do not have an RMA listed may be refused or a significant delay in processing may occur.** Estimated Warranty service time is 10-20 business days. End-user/customer is responsible for postage to ATN for warranty service. ATN will cover return postage/shipping after warranty repair to end-user/customer only if product is covered by aforementioned warranty. ATN will return product after warranty service by domestic UPS ground and/or domestic mail. Any other requested or required shipping method the postage/shipping fee will be the responsibility of the end-user/customer.

Daytime Riflescopes



5x33I



2-6x40lu



5x33lu



3-9x55lu



4-12x60lu



8-24x75lu



6-18x65lu



12-36x80lu



For customer service and technical support, please contact
American Technologies Network Corp.

North American Office

1341 San Mateo Avenue, South San Francisco, CA 94080
phone: 800-910-2862, 650-989-5100; fax: 650-875-0129

European Office

phone: 44(0)870-0111286, fax: 44(0) 845-3349142

The following countries can use our
toll free number 00 800 9102-8620

Austria, France, Germany, Holland, Italy, Spain, Sweden, Switzerland

www.atncorp.com