

Aries MK350 “Guardian”

NIGHT VISION RIFLESCOPE



ARIES 350 “GUARDIAN” USER’S GUIDE (REV. 3, SEPTEMBER 2010)

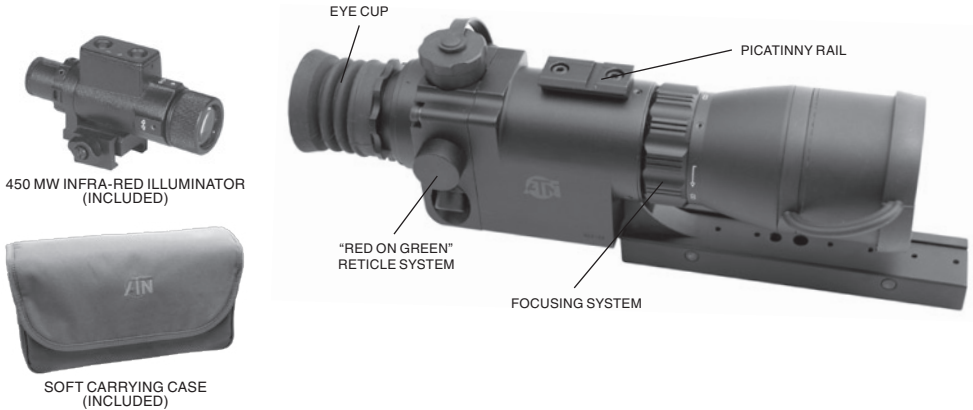
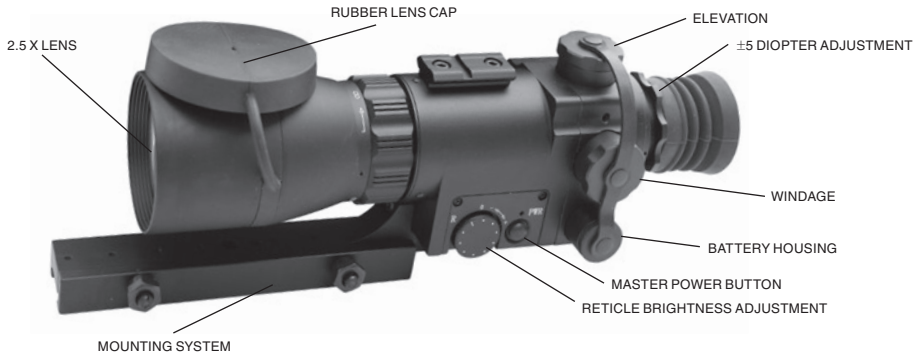
u s e r ` s g u i d e

Important Export Restrictions! Commodities, products, technologies and services contained in this manual are subject to one or more of the export control laws and regulations of the U.S. Government and they fall under the control jurisdiction of either the US Department of State or the US BIS-Department of Commerce. It is unlawful and strictly prohibited to export, or attempt to export or otherwise transfer or sell any hardware or technical data or furnish any service to any foreign person, whether abroad or in the United States, for which a license or written approval of the U.S. Government is required, without first obtaining the required license or written approval from the Department of the U.S. Government having jurisdiction. Diversion contrary to U.S. law is prohibited.



**AMERICAN
TECHNOLOGIES
NETWORK
CORP.**

Register your product warranty online at www.atncorp.com/warranty



OPTIONAL ACCESSORIES



CAUTION:

THIS PRODUCT CONTAINS NATURAL RUBBER LATEX WHICH MAY CAUSE ALLERGIC REACTIONS.

The information in this manual furnished for information use only, is subject to change without notice, is not to be construed as a commitment by ATN Corp.

ATN Corp. assumes no responsibility or liability for any errors or inaccuracies that may appear in this book.

©2010 ATN Corp. All right reserved.

APPLICATION

ATN Aries MK350 “Guardian” is the best 1st generation riflescope on the market.

We started by improving the optical configurations with lowered F-stop factors (from 1.7 on previous models to 1.4(!) on new) and optical resolution that is beyond current military standards. This provides you with the brightest and clearest image in a 1st gen unit. Then we added our precision “red on green” aiming system, easy push button operation, reticle brightness adjustment and our detachable, most powerful in the industry 450mw Infrared Illuminator with dedicated windage and elevation adjustments.

FEATURES

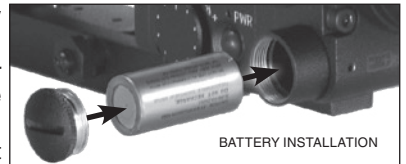
- Top-of-the-line First Generation weapon sight
- High resolution Gen. 1+ IIT
- “Red on Green” reticle system with 1/4 inch @ 100 yards adjustment
- 2,5X magnification with F:1.4, f90mm lens
- Detachable most powerful in the industry 450mW Infrared Illuminator with dedicated windage and elevation adjustments.
- Adjustable fixation rail mounting system
- One 3V Lithium battery, CR123A type
- Dimensions: 275 mm x 105 mm x 83 mm /10,8” x 4.1” x 3,2”
- Weight: 1.27 kg /2.8 lbs

** ATN reserves the right to change the above specifications at any time without notice*

PREPARATION FOR OPERATION

Before getting started make sure to follow these steps:

- Install the battery into its housing with the polarity order shown on the main body of the unit.
- Switch on the Aries scope by pushing the master power button. The protective lens cover must be attached to the lens.
- Make sure that the green luminance of the light intensifier tube is present.
- Observe the scene, and adjust the diopter and/or lens for optimal image clarity.
- You may now enter a dark environment or simply shut the lights off in order to darken the room.
- Next, remove the lens cap/daylight filter.
- Observe the scene, and adjust the front lens for ideal focus.
- Finally, you may want to turn the infra red (IR) illuminator on. Notice the ability of the Aries scope to see in total darkness with the aid of the IR illuminator.



OPERATING

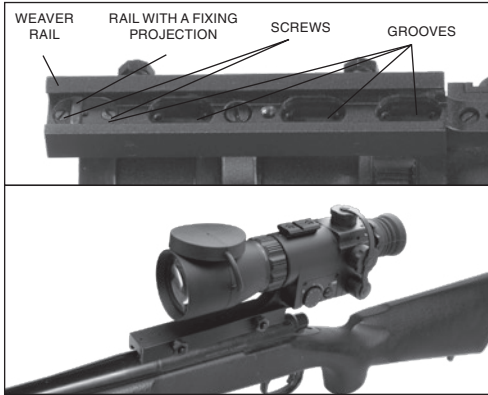
MOUNTING

1. Slightly loosen the horizontal and vertical fixing screws on the 7/8” weaver rail built into the scope.
2. Place the scope on the dovetail mount of the fire arm making certain that the mount aligns with the receptor attachment screw groove. Adjust as necessary.
3. Tighten the horizontal fixing screws.

NOTE: Receptor attachment screws may need to be tightened after continuous shooting.

MOUNTING SYSTEM

The ATN Night Vision Riflescopes Mounting System allows to change the position of the riflescope flexibly on the weapon in relation to a shooter in combination with the fixed positions already available on the weaver rail. For this purpose in the base of the mounting bracket there is a rail with a fixing projection. There are three grooves in the mounting bracket for mounting this rail. Besides it is possible to change the position of the riflescope additionally by 1/3 of inch. For doing this one needs to about-face the rail.

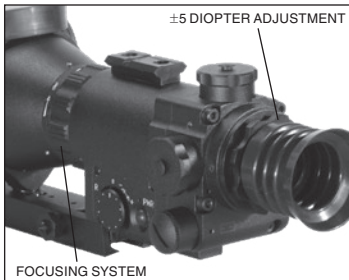


To change the position of the riflescope on the weaver rail additionally follow the steps mentioned below:

1. Unscrew the two screws, which attach the rail to the mounting bracket.
2. Take the rail out of the groove.
3. About-face the rail in case of necessity.
4. Place the rail into another groove.
5. Fix the rail with the two screws.

NOTE: If the rail is not taken out easily, screw up tight one of screws into the threaded aperture in the middle of a fixing projection of the rail. Continue rotation of the screw. Thus the screw will push out a rail from a groove.

FOCUSING



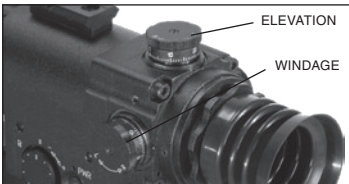
To focus your riflescope you will need to adjust the diopter first thing. Simply turn the diopter clockwise until it stops. Then, while looking through the diopter at a subject, slowly turn the diopter back counter clockwise until the grain in the image is sharp.

NOTE: We suggest that you focus the diopter during daylight with the filter on.

Next, focus the front lens until the image and the grain are both sharp. When you are in the low-light conditions and the daylight filter is off you may focus the front lens to receive a sharp image, the diopter should not be adjusted.

NOTE: The front lens should be readjusted as you view objects at different distances.

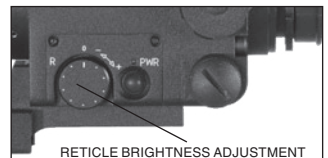
WINDAGE AND ELEVATION



The vertical and horizontal adjustments for the Aries can be achieved by turning the elevation and windage adjustment mechanisms (remove dust caps first). Each click equals to 1/4 inches at 100 yards. When reaching the maximum of rotation do not use force.

BRIGHTNESS ADJUSTMENT

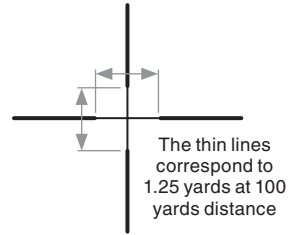
By rotating the "R" handle you may adjust the reticle's brightness. Adjustment could be easily seen if you look through the scope while adjustment.



RANGEFINDER RETICLE

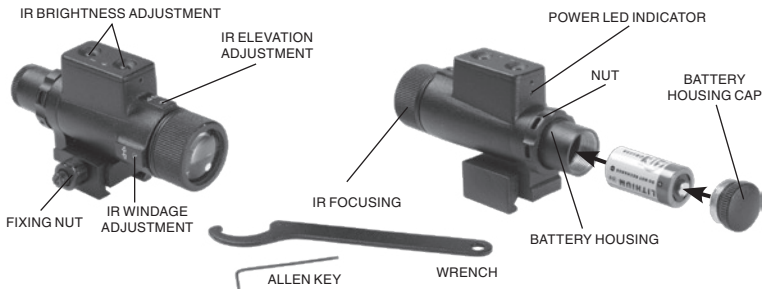
Aries 350 reticle gives a clearly aiming point, even when hard-to-see game blends into the background. Thinner posts and crosshairs center section covers a minimum of the target and allow for less target coverage, making precision shots on small targets easy.

Heavy posts stand out against cover and leads your eye directly to the center intersection. The result is fast precision aiming.



IR ILLUMINATOR

Infra-red (IR) Illuminators are common for night vision technology. The IR light greatly enhances the performance of your device, while remaining almost totally invisible to the naked eye. Staying in the dark, switch on your night vision device. If the visibility is low, you may use ATN IR450 to improve the situation. Still, you should remember that the IR illuminator is just a source of infrared light so the greater is the chosen range of observation, the lesser its brightness becomes.



IR450 Infrared Illuminator can be mounted with Mars onto the Pica-tinny Rail.

IR450 Installation:

1. Loosen the fixing nut of IR450.
2. Install the IR450 onto the Picatinny rail.
3. Tighten the fixing nut of IR450 tightly.

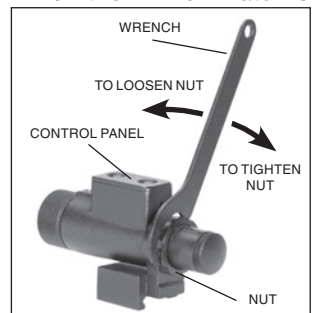
The ATN IR450 is powered with one CR123A lithium battery. To install the battery unscrew the cap of the battery housing and insert the battery following the polarity arrows marked on the housing. Put the cap in place.

The IR-450 illuminator has a control panel with two buttons. To switch the IR illuminator on/off press “+” and “-” buttons simultaneously. When the IR illuminator is switched on you can see the green LED lit on the back side of IR450. By pushing the buttons “+” and “-” you may adjust the IR brightness.

The IR beam is focusable to change the field of coverage. To change the beam width slightly turn the IR lens.

You may need adjust the focusing of the IR beam to change the field of coverage. Do it by slightly rotating the IR lens. The windage and elevation screws help adjust the direction of the IR beam from the IR450 in order to focus on the scene observed in the viewfinder of your NVD. Use the included Allen wrench to rotate the adjusting screws until the IR beam is centered. Please remember the adjustments should be performed under night light conditions only.

You can change the position of the IR control panel to meet your your needs. The wrench that is included in the set, is used to loosen the nut located on the body of the IR. Rotate the IR to the desired position. Tighten the nut with the wrench to secure the new position.



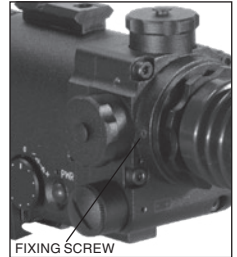
CLEANING THE EYEPIECE

You may need to clean the eyepiece of the riflescope from time to time in order to guarantee top performance. When you receive your riflescope you should check for dust on the eyepiece of the unit.

First you will need to remove the eyepiece. To do that you will need to initially loosen the fixing screw that can be found on the base. Then unscrew the eyepiece counter-clockwise to remove it.

NOTE: *You do not have to remove the set screws completely, they are very small and easy to misplace.*

CAUTION: *Use only Photographic lens cleaning tissue on these surfaces. Be careful not to scratch or smudge any of these surfaces. When using compressed air to blow dust away, make sure to avoid inverting the can while spraying. This can cause frozen propellant to exit the can, which can cause serious problems with the glass and phosphor screen.*



WARNINGS AND CAUTIONS

- Always remember to turn off the Aries scope when it is not in use. If you do not plan on using your aries scope for a period of more than 10 days, you should remove the batteries.
- **Keep lens cap/daylight filter on when not in use.**
- Avoid contact with dust, steam, and gas.
- The Aries scope is not harmful to the user or the environment.
- Do not disassemble except to clean the front lens and the eyepiece: **it will void your warranty.**
- Evaluate the scopes function by looking through it in a lit environment with the daylight filter lens cap on. Never use in daylight without the daylight filter lens cap on. Do not surpass ten minutes of testing.
- **Never point the Aries scope at a bright light source.** If the scope shuts off automatically after directing it at a bright light source, turn the unit off and wait 1 - 2 minutes before turning the unit back on.
- Adverse atmospheric conditions such as fog, smog, or haze and a lack of ambient light (moon or starlight) may diminish the effective viewing distance. All technical data for this unit was compiled in a controlled environment.
- If you use the rubber eyecaps for a long period of time, you may suffer skin inflammation. If you develop any symptoms, consult a doctor immediately.

TROUBLESHOOTING

Q: Flashes, flickers, or clicking occur while operating

S: If it occurs within the first five minutes of inserting new batteries, it is normal and the device will resume normal operation soon thereafter. If it occurs for more than 10 minutes, contact your dealer or other authorized service representative for service instructions.

Q: Dark spots on screen.

S: This may be dust on the lens, please clean according to instructions. They may also be Cosmetic blemishes in the intensifier tube which are a by-product of the manufacturing process. This is normal and will not affect the life or performance of the unit.

Q: Image not clear.

S: Adjust focus ring. If problem persists, increase viewing distance

2 YEAR PRODUCT WARRANTY

This product is guaranteed to be free from manufacturing defects in material and workmanship under normal use for a period of 2 (two) years from the date of purchase. In the event a defect that is covered by the foregoing warranty occurs during the applicable period stated above, ATN, at its option, will either repair or replace the product, and such action on the part of ATN shall be the full extent of ATN's liability, and the Customer's sole and exclusive remedy. This warranty does not cover a product (a) used in other than its normal and customary manner; (b) subjected to misuse; (c) subjected to alterations, modifications or repairs by the Customer or by any party other than ATN without prior written consent of ATN; (d) special order or "close-out" merchandise or merchandise sold "as-is" by either ATN or the ATN dealer; or (e) merchandise that has been discontinued by the manufacturer and either parts or replacement units are not available due to reasons beyond the control of ATN. ATN shall not be responsible for any defects or damage that in ATN's opinion is a result from the mishandling, abuse, misuse, improper storage or improper operation, including use in conjunction with equipment which is electrically or mechanically incompatible with or of inferior quality to the product, as well as failure to maintain the environmental conditions specified by the manufacturer. **CUSTOMER IS HEREBY NOTIFIED THAT OPERATION OF THE EQUIPMENT DURING DAYLIGHT HOURS OR UNDER ANY EXCESSIVE LIGHT CONDITIONS MAY PERMANENTLY DAMAGE THE INTERNAL COMPONENTS OF THE UNIT AND SAID DAMAGE WILL NOT BE COVERED UNDER THIS WARRANTY.** This warranty is extended only to the original purchaser. Any breach of this warranty shall be waived unless the customer notifies ATN at the address noted below within the applicable warranty period.

The customer understands and agrees that except for the foregoing warranty, no other warranties written or oral, statutory, expressed or implied, including any implied warranty of merchantability or fitness for a particular purpose, shall apply to the product. All such implied warranties are hereby and expressly disclaimed.

LIMITATION OF LIABILITY

ATN will not be liable for any claims, actions, suits, proceedings, costs, expenses, damages or liabilities arising out of the use of this product. Operation and use of the product are the sole responsibility of the Customer. ATN's sole undertaking is limited to providing the products and services outlined herein in accordance with the terms and conditions of this Agreement. The provision of products sold and services performed by ATN to the Customer shall not be interpreted, construed, or regarded, either expressly or implied, as being for the benefit of or creating any obligation toward any third party of legal entity outside ATN and the Customer; ATN's obligations under this Agreement extend solely to the Customer. **ATN's liability hereunder for damages, regardless of the form or action, shall not exceed the fees or other charges paid to ATN by the customer or customer's dealer. ATN shall not, in any event, be liable for special, indirect, incidental, or consequential damages, including, but not limited to, lost income, lost revenue, or lost profit, whether such damages were foreseeable or not at the time of purchase, and whether or not such damages arise out of a breach of warranty, a breach of agreement, negligence, strict liability or any other theory of liability.**

PRODUCT WARRANTY REGISTRATION

In order to validate the warranty on your product, ATN must receive a completed Product Warranty Registration Card for each unit or complete warranty registration on our website at www.atncorp.com. Please complete the included form and immediately mail it to our Service Center: ATN Corporation, 1341 San Mateo Avenue, South San Francisco, CA 94080.

OBTAINING WARRANTY SERVICE

To obtain warranty service on your unit, End-user must notify ATN service department by calling **800-910-2862** or **650-989-5100** or via e-mail service@atncorp.com to receive a Return Merchandise Authorization number (RMA). When returning please take or send the product, postage paid, with a copy of your sales receipt to our service center, ATN Corporation at the address noted above. All merchandise must be fully insured with the correct postage; ATN will not be responsible for improper postage or, missing or damaged merchandise during shipment. When sending product back, please clearly mark the RMA# on the outside of the shipping box. Please include a letter that indicates your RMA#, Name, Return Address, reason for service return, Contact information such as valid telephone numbers and/or e-mail address and proof of purchases that will help us to establish the valid start date of the warranty. **Product merchandise returns that do not have an RMA listed may be refused or a significant delay in processing may occur.** Estimated Warranty service time is 10-20 business days. End-user/customer is responsible for postage to ATN for warranty service. ATN will cover return postage/shipping after warranty repair to end-user/customer only if product is covered by aforementioned warranty. ATN will return product after warranty service by domestic UPS ground and/or domestic mail. Any other requested, required or international shipping method the postage/shipping fee will be the responsibility of the end-user/customer.



For customer service and technical support, please contact
American Technologies Network Corp.

North American Office

1341 San Mateo Avenue, South San Francisco, CA 94080
phone: **800-910-2862, 650-989-5100**; fax: **650-875-0129**

European Office

The following countries can use our toll free number:

00 800 9102-8620

Austria, France, Germany, Holland, Italy, Spain, Sweden, Switzerland

For other countries, please use

38 048-7770214 or 38 048-7770345

www.atncorp.com