



## OMEGA BINOCULAR

## 10X42RF

ATN's 10x42RF daytime Omega class binoculars are the quintessential professional binoculars. They provide a sharp stable image with excellent low-light performance.

Features multi-coated optics for superior light transmission, individual diopter focus for clearer images, built-in range finder reticle (M22) and full rubber armoring for increased shock resistance.

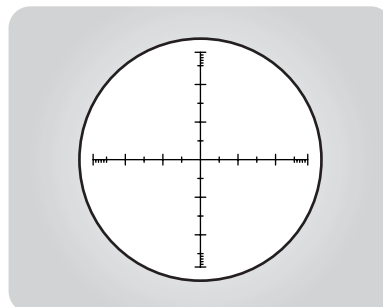
The combination of waterproof and high quality optics make it the perfect binocular for military, law enforcement, boating as well as for most hunting uses.

Meets standards and requirements of MIL-STD810 for a lifetime of high performance.

- Meets standards and requirements of MIL-STD810
- Built for professional use
- Multi-Coated Optics
- Built-in Rangefinder
- Full rubber armoring
- Waterproof & shockproof
- O-ring sealed & Nitrogen purged
- Limited Lifetime Warranty

### SPECIFICATIONS

MAGNIFICATION	10X
FOV	100 m @ 1000 m
DIOPTER ADJUSTMENT	-5 / +7
OPERATING TEMPERATURE	-43°C to +55°C
LENGTH	160 mm / 6.3"
WEIGHT	0.78 kg / 1.7 lbs



Export Warning: These products are subject to one or more of the export control laws and regulations of the U.S. Government. Pending the model these products are under the control jurisdiction of either the US Department of State or the US Bureau of Industry and Security US Department of Commerce. Export without proper licensing or consent is strictly prohibited.

1341 San Mateo Ave,  
South San Francisco, CA 94080.

[www.atncorp.com](http://www.atncorp.com)  
e-mail: [sales@atncorp.com](mailto:sales@atncorp.com), [info@atncorp.com](mailto:info@atncorp.com)

Tel: 800-910-2862, 650-989-5100,  
fax: 650-875-0129