

SR-SERIES

Thermal Security Cameras



SR-SERIES THERMAL SECURITY CAMERAS FROM FLIR SYSTEMS

The power of thermal cameras in all-weather enclosures

The best thermal security cameras in the business

FLIR's powerful SR-Series thermal security cameras compliment and complete your security camera network. They turn night into day, allowing you to see intruders invisible to the naked eye.



- Creates video images from heat, night and day, in good weather and bad
- Available lenses: 19mm (36° FOV), 35mm (20° FOV), 50mm (14° FOV) & 100mm (7° FOV)
- Digital Detail Enhancement (DDE) for optimal image quality
- NTSC composite video-output is compatible with all third-party accessories
- External Video-Analytics compatible
- Pelco D, RS-232 & RS-422 capability on certain models
- Network ready – fully-compatible with third-party video encoders

Perfect for:

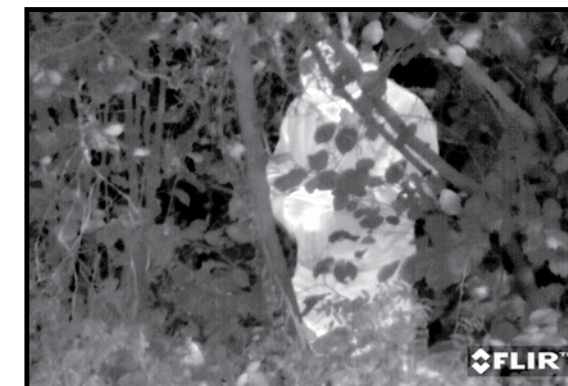
- Monitoring dimly lit or unlit entries and exits
- Indoor and outdoor parking lots and structures
- Warehouses, waterfronts, large open areas
- Residential properties and gated communities
- Anywhere you need to see at night

WHY THERMAL?

Thermal security cameras let you see threats you never knew were there – day and night, in good weather and bad

You won't believe what you haven't been seeing

Today's Security Professional must detect and counter the threats arrayed against their valuable assets and personnel – thermal security cameras are the most effective tool for that job. Providing maximum image contrast, thermal cameras are the technology of choice for military security forces, made affordable for today's civilian security community by FLIR.



Thermal sees heat

Thermal security cameras make pictures from heat energy that is invisible to the naked eye. Everything in the color image below is giving off heat – even the ice cubes she is holding in her left hand, and the circle she traced on the wall with her right.



See day and night

Thermal energy passes through many obscurants including smoke, dust, modest foliage and light fog. The thermal camera can see this person clearly through the fog, but the standard visible light color camera cannot.



SR-SERIES THERMAL SECURITY CAMERAS

Installation Ready – Easy to Use, Easy to Mount

No special adjustment or fine-tuning required

FLIR's SR-Series thermal security cameras are ready to use right out of the box --- no focus or zoom adjustment needed. No one else makes cameras with such unsurpassed thermal image quality that are so easy to field.



Power in, Video out

SR-Series thermal security cameras are almost as easy to install as a light bulb. Plug in the 14-32 VDC (or 24 VAC), and start watching the high-quality thermal video. The SR-Series cameras come in industry-standard environmental enclosures that use common ¼-20 mounting hardware to simplify installation and work seamlessly with common third-party mounts and pedestals.



The best core technology is the easiest to use

Just because something's high-tech, doesn't mean it has to be hard to use. Unlike visible-light and poorly designed thermal cameras whose lenses change focus when subjected to temperature changes, FLIR designed SR-Series thermal security cameras to maintain their sharp focus regardless of temperature changes.

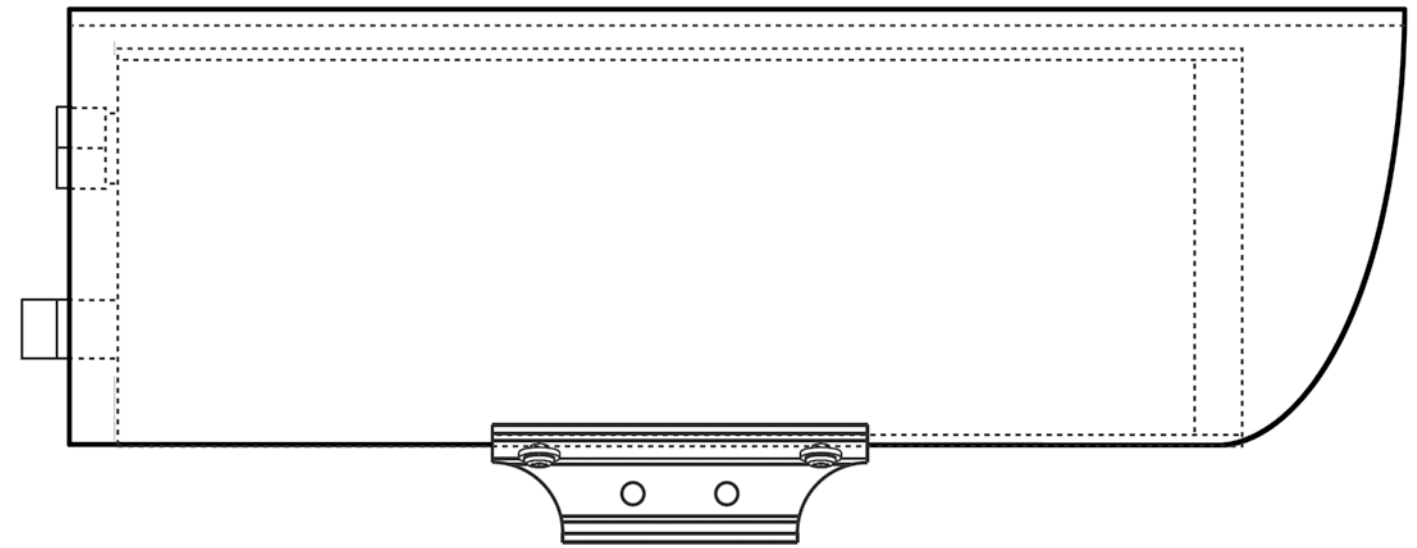


SR-Series use industry-standard enclosures

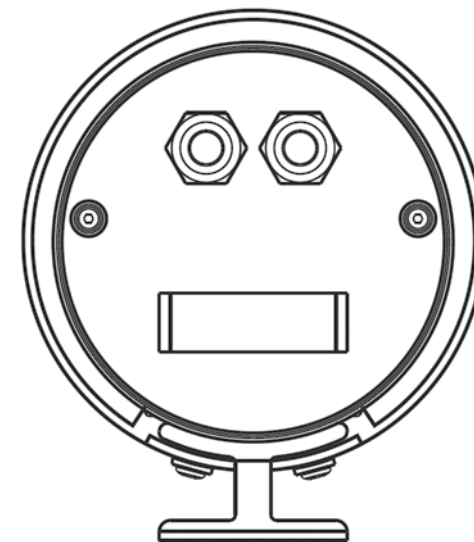
FLIR's SR-Series thermal security cameras come in industry-standard environmental enclosures, use common ¼-20 mounting hardware, and are compatible with a wide variety of third-party mounts and pedestals (Bosch, Video Alarm and Pelco, to name a few), making installation a snap.

SR-Series Camera Model

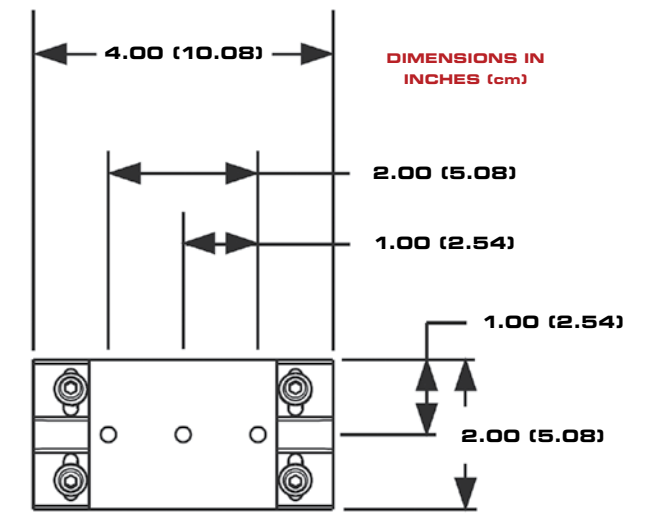
		Length	Height
	SR-19 / -35 / -50	10.5" (26.7)	5.68" (14.4)
	SR-100	14.5" (36.8)	5.68" (14.4)



SIDE VIEW



REAR VIEW



MOUNTING SLED

DIMENSIONS IN INCHES (cm)

SYSTEM OVERVIEW

THERMAL CAMERA



SR-19



SR-35



SR-50



SR-100

Camera Performance

Sensor Type	320x240 VOx Uncooled Microbolometer	320x240 VOx Uncooled Microbolometer	320x240 VOx Uncooled Microbolometer	320x240 VOx Uncooled Microbolometer
Spectral Range	7.5-13.5μ	7.5-13.5μ	7.5-13.5μ	7.5-13.5μ
Lens Focal Length	19mm	35mm	50mm	100mm
Field-of-View	36° x 27°	20° x 15°	14° x 10°	7° x 5°
Electronic Zoom	2X	2X	2X	2X
Image Processing	AGC & DDE	AGC & DDE	AGC & DDE	AGC & DDE
Video Output	NTSC & PAL	NTSC & PAL	NTSC & PAL	NTSC & PAL

SYSTEM SPECIFICATIONS

Power

Requirement	14-32VDC or 24VAC ±10%	14-32VDC or 24VAC ±10%	14-32VDC or 24VAC ±10%	14-32VDC or 24VAC ±10%
Consumption	8W nominal, 24W peak,	8W nominal, 24W peak,	8W nominal, 24W peak,	8W nominal, 36W peak,

Environmental

Operating Temp.	-26° to +131°F (-32° to +55°C)	-26° to +131°F (-32° to +55°C)	-26° to +131°F (-32° to +55°C)	-26° to +131°F (-32° to +55°C)
Storage Temp.	-58° to +185°F (-50° to +85°C)	-58° to +185°F (-50° to +85°C)	-58° to +185°F (-50° to +85°C)	-58° to +185°F (-50° to +85°C)
Qualification Standard	MIL-Std 810F	MIL-Std 810F	MIL-Std 810F	MIL-Std 810F

Physical

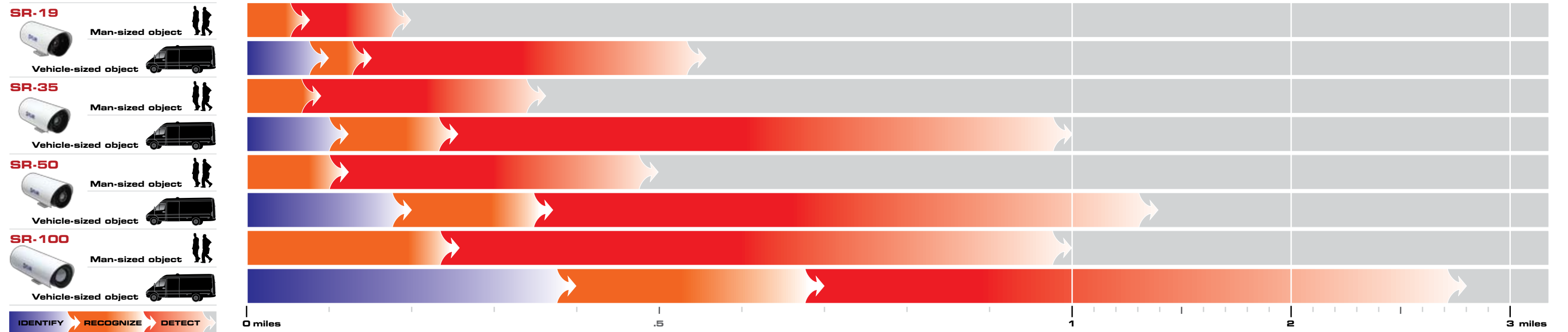
Weight	4.6 lb (2.1 kg)	4.6 lb (2.1 kg)	4.7 lb (2.1 kg)	7.2 lb (3.3 kg)
Size	10.5" x 5.0" x 5.68" (26.7 x 12.7 x 14.4 cm)	10.5" x 5.0" x 5.68" (26.7 x 12.7 x 14.4 cm)	10.5" x 5.0" x 5.68" (26.7 x 12.7 x 14.4 cm)	14.5" x 5.0" x 5.68" (36.8 x 12.7 x 14.4 cm)

Standard Package

Thermal camera, 110VAC cord, 24VDC power supply, Operator Manual.
Optional hardshell carrying case available.

Range Chart This chart shows how far away the different SR-Series cameras can detect, recognize and identify human and vehicle targets.

These are approximate ranges; your actual performance may vary, based on a variety of environmental factors.



ThermalVideo.com

ThermalVideo.com
Your Source for Modern Thermal Imaging Systems
P.O. BOX 4242
Middletown, NY 10941

PH: + 1 888 919 2263
PH Int: + 1 845 343 4077
FX: + 1 845 343 4299
support@thermalvideo.com

www.thermalvideo.com